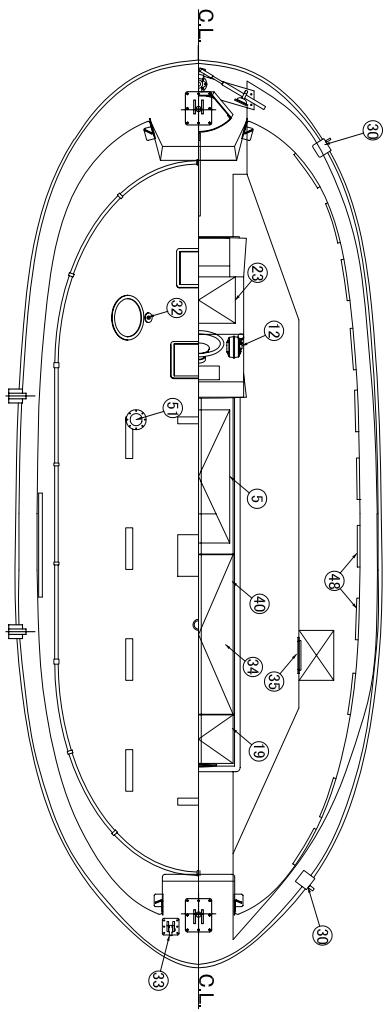
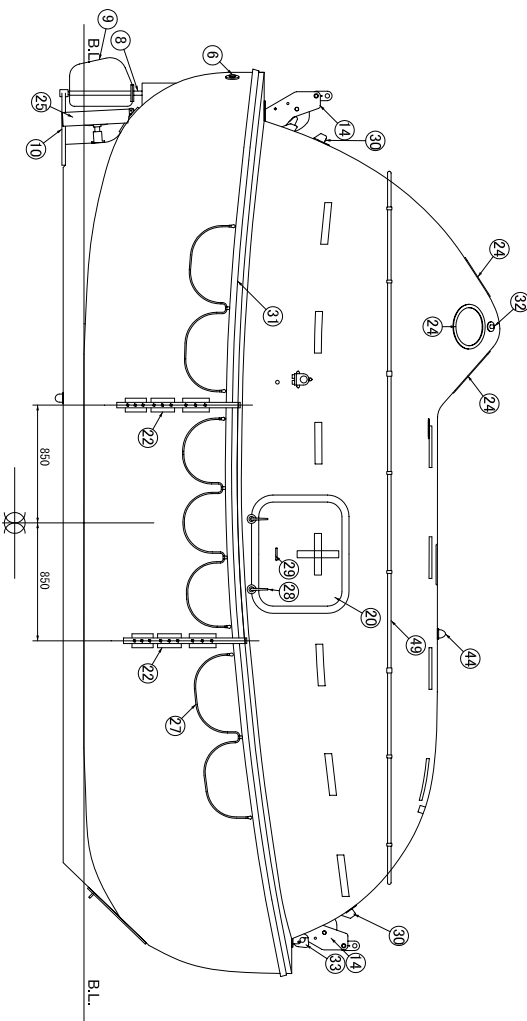
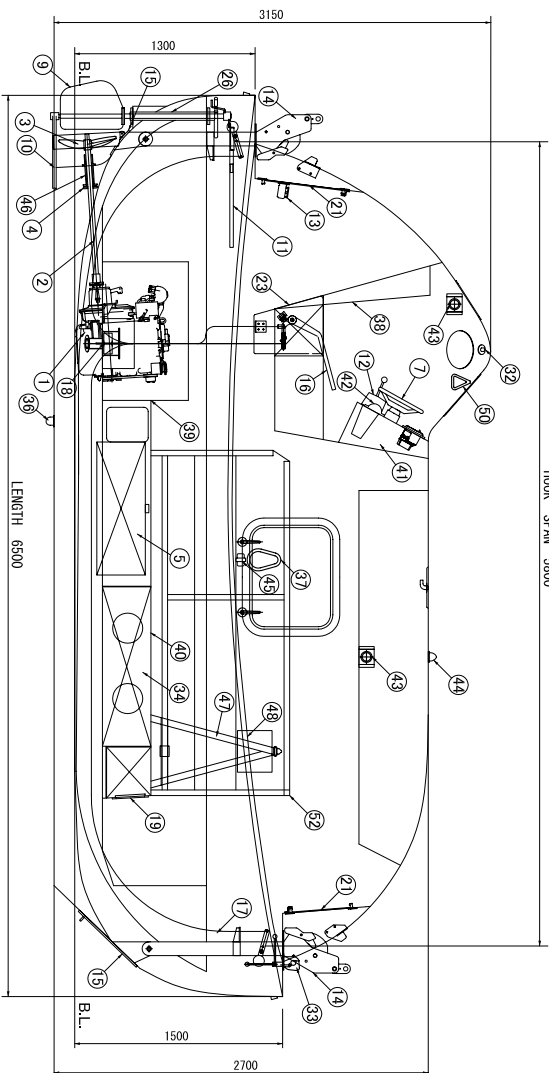


HOOK SPAN 5800



Note: 1. All steel parts such as small fittings to be galvanized by hot process.

2. Quantity shown in one boat.

NO.	PARTICULARS	SIZE	MATL	QUANTITY	REMARKS
52	Center Line B <sup>re</sup>		AL&P.W.	1	
51	Fittings For S <sup>art</sup>			1	Ship side
50	Grip Handle	φ 15	SS400	1	for Davit Winch Control
49	Hand Rail	φ 25	SUS304	1set	
48	Head Support			1set	
47	Seat Belt		Synthetic F.	1set	Three(3) Point Type
46	Stem Tube	φ 60	BC	1	
45	Catch Stand	φ 25	SS400	1	
44	Canopy Light	8W		1	
43	Ceiling Light	8W		2	
42	Compass			1	
41	Console Box		FRP	1	
40	Center Seat	5t	FRP	1	
39	Engine Casing	1.5t	SS400	1	
38	Helmsman Seat	5t	FRP	1	
37	Rowing Port		AC7A-F	1	Only Opposite Of Skate
36	Bottom Plug	φ 32	BC	1	Automatic
35	Food Locker	5t	FRP	2	
34	Fresh Water Locker	5t	FRP	1	
33	Painter Release Device	16t	BC	1	for Painter
32	Through Plug	φ 6	SUS316	1	for Davit Control Wire
31	Fender		Synthetic W.	1set	
30	Wire Stopper	12t	SS400	1	
29	Grip Handle	φ 8	SUS304	6	for Lashing Wire Rope
28	Chip	φ 17.5	SUS304	4	
27	Life Line	φ 10	P.P. Rope	2sets	
26	Rudder Tube	φ 60	SS400	1	
25	Propeller Guard	3t	SUS304	1set	
24	Window	6t	Acryl	4	
23	Battery	DC12V		2	
22	Boat Stake		Rubber	2	
21	Access Hatch	6t	FRP	2	with Hinge
20	Embarkation Hatch	6t	FRP	1	with Hinge
19	Locker	5t	FRP	1	with Proper Openings
18	Hydraulic Inter Lock		FRP	1	Buoyant Tank System
17	Releasing Cable	φ 3.5		2	
16	Releasing Handle	20A	SGP	2	
15	Keel Bracket	19t	SS400	1	
14	Lifting Hook	25t	SS400	2	with Pin and Set Bolt
13	Breather Valve	φ 50	BC	1	
12	Controller			1set	Type:AS20HO
11	Emergency Tiller	φ 25		1	
10	Shoe Piece	25t	SS400	1	
9	Rudder	6t	SS400	1	Semi-Balanced Rudder
8	Rudder Stock	φ 32	SUS304	1	with Emergency Tiller
7	Steering Wheel	φ 365		1	
6	Exhaust Pipe	32A	SGP	1	with Anti-Swamp Valve
5	Fuel Oil Tank	151HK	SS400	1	
4	Packing Grand	φ 35	BC	1set	with Greased Packing
3	Screw Propeller	430 x 250	Al-Bronze	1	
2	Screw Shaft	φ 35	SUS304	1	
1	Engine	18.4KW		1	Yanmar 3JH25A

SHIGI SHIPBUILDING CO., LTD. DWGNO. 2008225 DATE H17.5.25

角 木村 齋村 NTS  
 APPROVED CHECKED DRAWING SCALE QUANTITY MATL TITLE  
 GENERAL ARRANGEMENT  
 一般配置図  
 6.5M TYPE