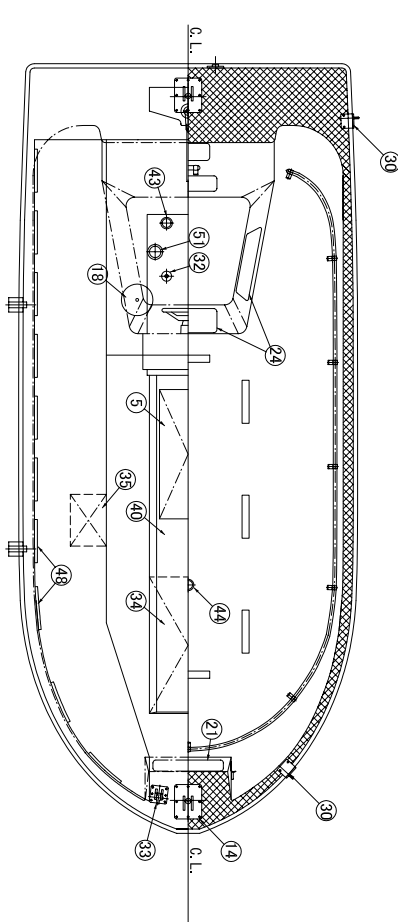
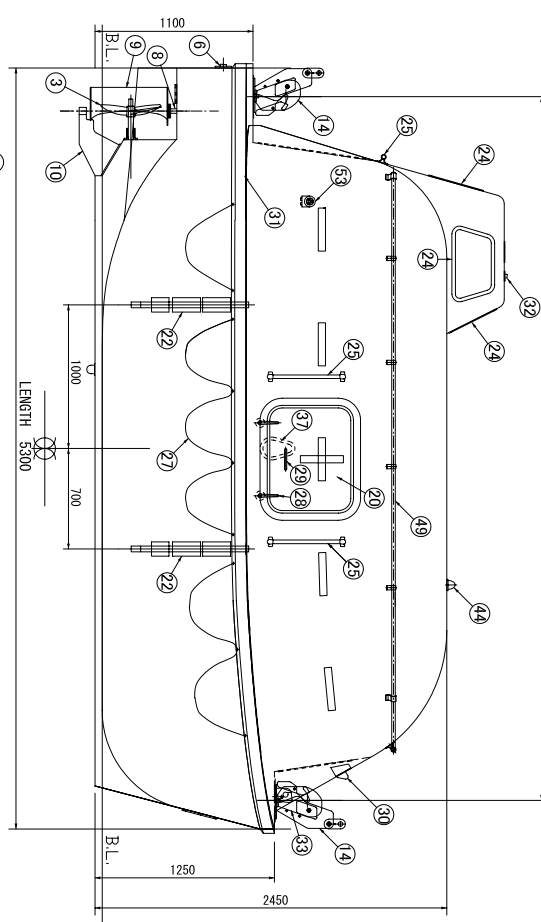
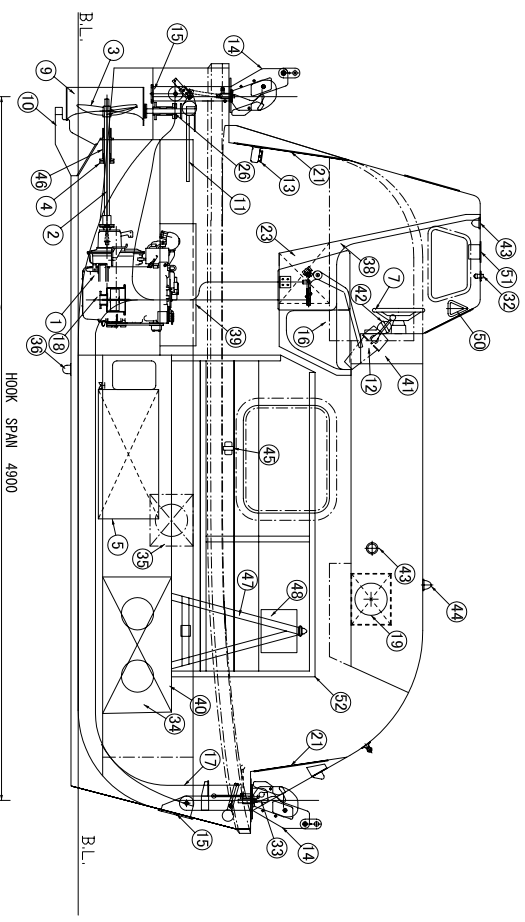


Note:
 1. All steel parts such as small fittings to be galvanized by hot process.
 2. Quantity shown in one boat.



NO.	PARTICULARS	SIZE	MATL	QUANTITY	REMARKS
53	Water Proof Receptacle			1	
52	Center Line B ¹⁶		AL&P.W.	1	
51	Fittings For Sirt			1	Ship side
50	Grip Handle	φ 15	SS400	1	for Davit Winch Control
49	Hand Rail	φ 25	SUS304	1set	
48	Head Support			1set	
47	Seat Belt		Synthetic F.	1set	Three(3) Point Type
46	Stem Tube	φ 80	BC	1	
45	Orutch Stand	25t	SS400	1	
44	Canopy Light	8W		1	
43	Ceiling Light	8W		2	
42	Compass			1	
41	Console Box		FRP	1	
40	Center Seat	5t	FRP	1	
39	Engine Casing	2.5t	A5052P	1	
38	Helmsman Seat	5t	FRP	1	
37	Rowing Port		AC7A-F	1	Only Opposite Of Skate
36	Bottom Plug	φ 32	BC	1	Automatic
35	Food Locker	5t	FRP	1	Ship Side
34	Fresh Water Locker	5t	FRP	1	
33	Painter Release Device	16t	BC	1	for Painter
32	Through Plug	φ 6	SUS316	1	for Davit Control Wire
31	Fender		Synthetic W.	1set	
30	Wire Stopper	12t	SS400	4	for Lashing Wire Rope
29	Grip Handle	φ 8	SUS304	4	
28	Chp	φ 17.5	SUS304	4	
27	Life Line	φ 10	P.P. Rope	2sets	
26	Rudder Tube	φ 60	BC	1	
25	Grip Handle	φ 25	SUS304	3	
24	Window	6t	Acryl	4	
23	Battery	DC12V		2	
22	Boat Skate		Rubber	2	
21	Access Hatch	6t	FRP	2	with Hinge
20	Embarkation Hatch	6t	FRP	1	with Hinge
19	Locker	5t	FRP	2	with Proper Openings
18	Hydraulic Inter Lock		FRP	1	Buoyant Tank System
17	Releasing Cable	φ 3.5	SGP	2	
16	Releasing Handle	20A	SGP	1	
15	Keel Bracket	19t	SS400	2	with Pin and Set Bolt
14	Lifting Hook	25t	SS400	2	
13	Breather Valve	φ 50	BC	1	
12	Controller			1set	TypeAS20HO
11	Emergency Tiller	φ 25		1	
10	Shoe Piece	12t	SS400	1	
9	Rudder	5t	SUS304	1	Kort Nozzle
8	Rudder Stock	φ 32	SUS304	1	with Emergency Tiller
7	Steering Wheel	φ 385		1	
6	Exhaust Pipe	32A	SGP	1	with Art-Swamp Valve
5	Fuel Oil Tank	15lit	SS400	1	
4	Packing Grand	φ 35	BC	1set	with Greased Packing
3	Screw Propeller	420 x 290	Al-Bronze	1	
2	Screw Shaft	φ 35	SUS304	1	
1	Engine	18.4kW		1	Yanmar 3JH25A

角 木材 葺材 NTS

SCALE: QUANT MATL

APPROVED BY: [Signature]

DESIGNED BY: [Signature]

DRAWN BY: [Signature]

SHIGI SHIPBUILDING CO., LTD.

INCNO. 20044525

DATE: 04.31.2012

TITLE: GENERAL ARRANGEMENT
 一般配置図
 5. 3M TYPE